

USER MANUAL



Thank you for choosing Better Bathrooms.
Please read this manual before installing your product
and keep for future reference.

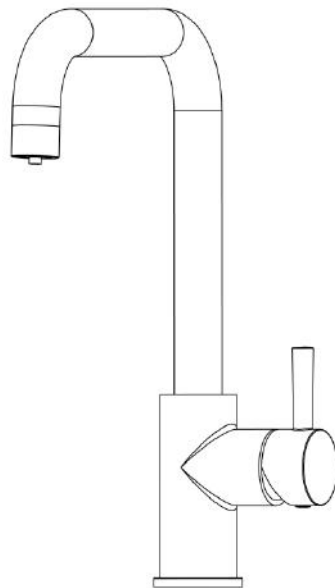
better 
bathrooms

Product name: Pronto Elwood Single Lever Filter Water Tap

Product code/s :

ELWSLCHFTR - Pronto Elwood Single Lever Filter Water Tap - Chrome

ELWSLMBFTR -Pronto Elwood Single Lever Filter Water Tap - Matt Black



- **Single-person assembly**
- **Tools required**
- **We always recommend using professional tradespeople to install your product**

V1_23.07.2024

Congratulations on your purchase

And welcome to our growing gang of savvy shoppers

We're on a mission to bring you extraordinary bathroom products, for less. From modern to traditional style ceramics, plus the gorgeous fixtures, fittings and furniture to match. So, you can fall in love with your space every single day.

As one of the UK's largest independent bathroom stores, we've received countless awards; including the National Business Awards UK, the Digital Entrepreneur Awards and being placed on The Sunday Times Fast Track 100.

We hope your new product goes above and beyond your expectations. However, should any problems occur, please:

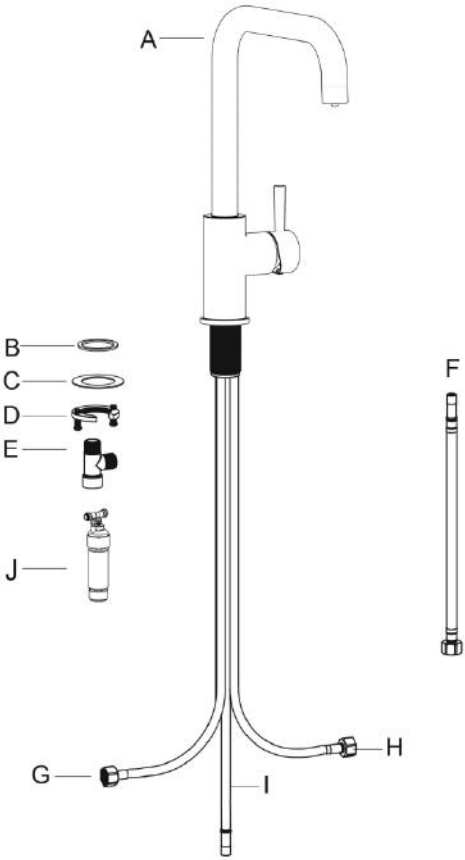
- log in to your account and contact our customer services team via your self-serve portal – betterbathrooms.com/CustomerAccount/Login
- contact us via betterbathrooms.com/content/contact-us

Important information

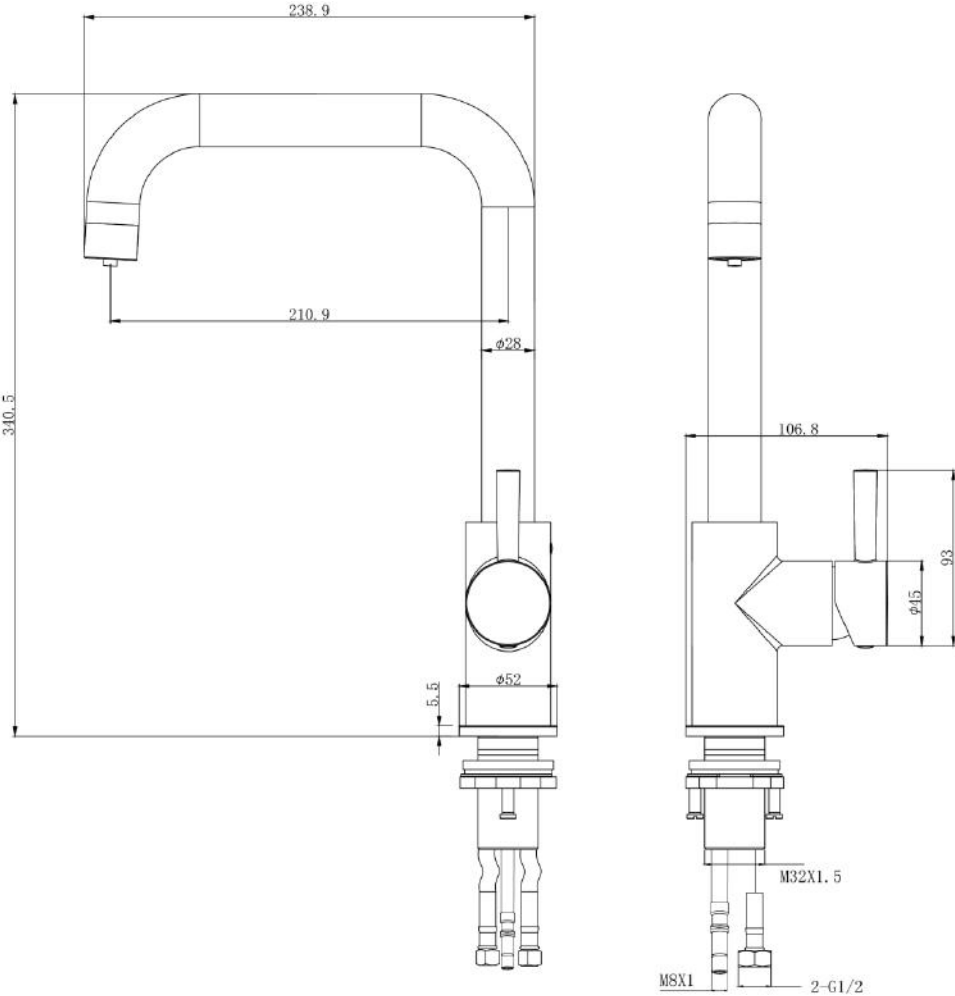
- Please read these instructions thoroughly and retain for future reference
- Pressures should meet minimum stated on the website
- Pressures must be balanced for optimum performance
- Always check for pipes and cables before drilling

Contents

- A- Tap
- B- Gasket
- C- Metal washer
- D- Mounting nut
- E- Three-way connector
- F- Drinking water supply hose
- J- Filter
- G- Hot water supply hose (With red strip)
- H- Cold water supply hose (With blue strip)
- I - Drinking water outlet hose



Parts / Diagrams



Tools required

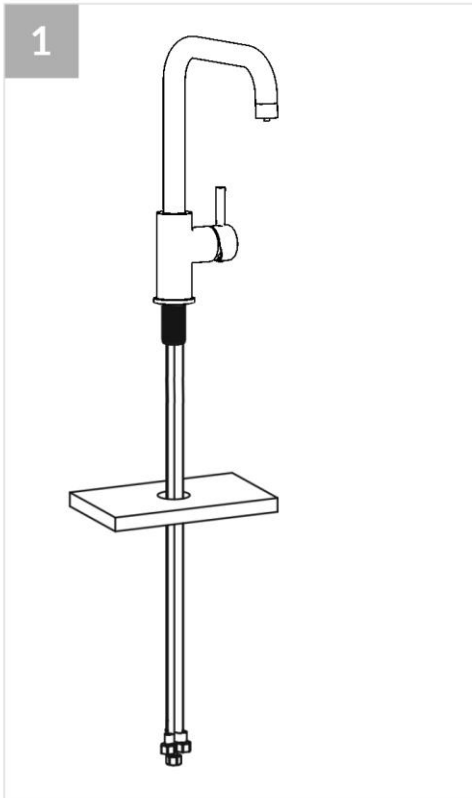
Installation requires a screwdriver, an adjustable wrench and adjustable pliers



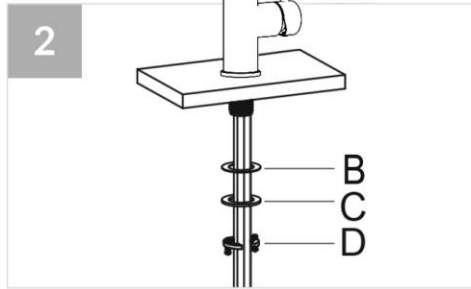
Installation

Identify all components are present prior to starting installation .

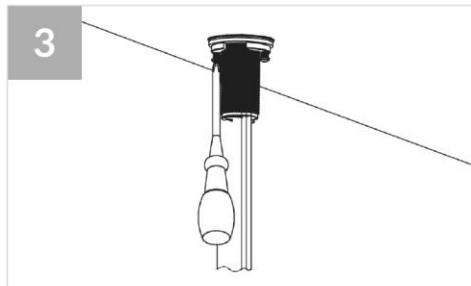
Flush water through the mains water feed to ensure they are clear of debris and isolate the water feed. Stop valve in the pictures is not supplied .



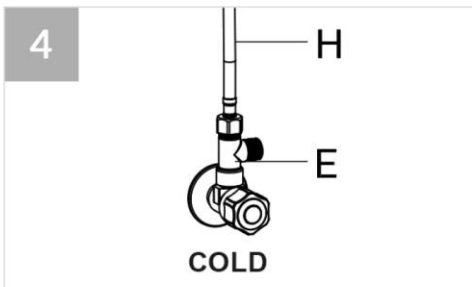
1 Mount the kitchen tap on the sink. See Fig 1



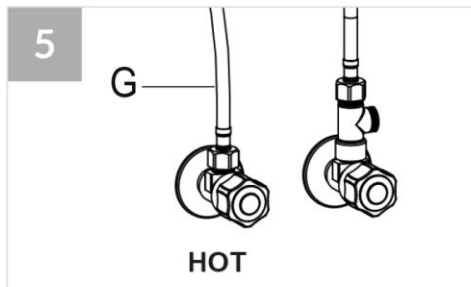
2 Firstly slide the Rubber Gasket (B) over the hoses, followed by the Metal Washer (C) and then the Mounting Nut (D) onto the stem. Hand tighten them firmly. See Fig 2



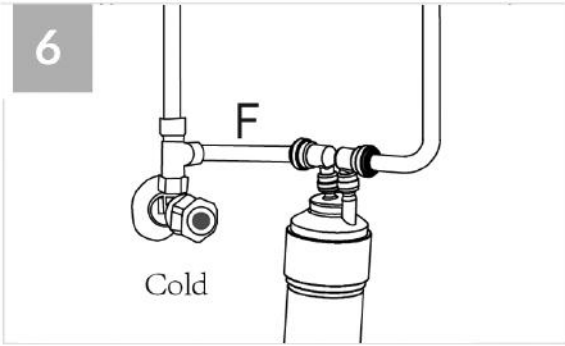
3 Use a Phillips head screwdriver to thread the 2 screws. See Fig 3



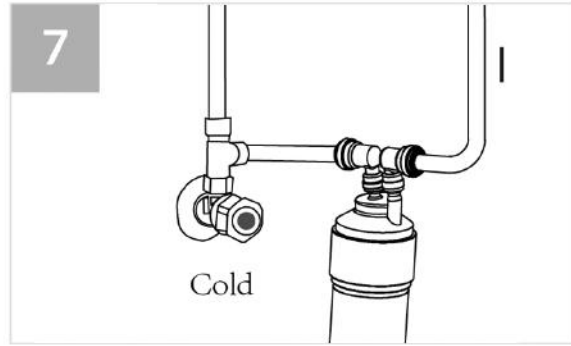
4 Connect the Three-way connector (E) onto the cold water supply on right. Connect the Cold Water Supply Hose (H) onto the Three-way connector. Secure with an adjustable wrench. See Fig 4



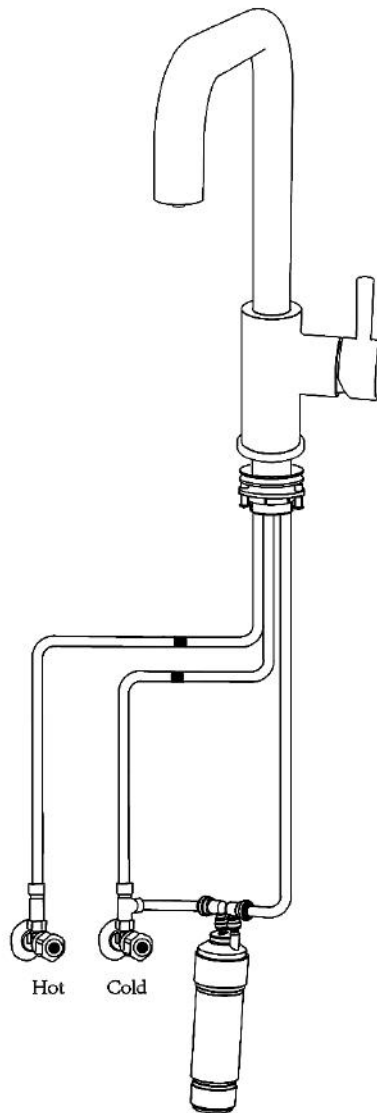
5 Connect the Hot Water Supply Hose (G) onto the hot water supply on left. Secure with an adjustable wrench. See Fig 5



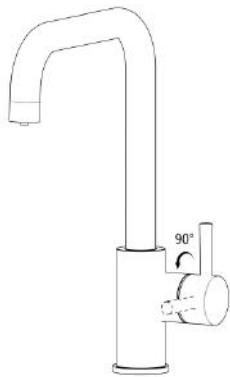
Connect the Drinking Water Supply Hose (F) onto the other side of the Three-way Connector, and secure the connection with an adjustable wrench. Fit the other end of the hose (F) into the filter housing inlet. See Fig 6



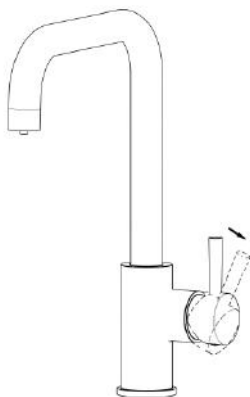
Fit the Drinking Water Outlet Hose (I) into the filter housing outlet. See Fig 7



Operation



To activate the filtered water, turn the lever outwards without lifting the lever



Open the handle to the right and the water will come out. Turn the handle forward (hot water)or backward (cold water)to control the water temperature .

Troubleshooting

Kitchen tap dripping for short period after closure :

This is normal as the spout is emptying .

Kitchen tap dripping continually : Turn off the water supply, remove the cartridge and clean and check internal seat for debris

No water coming through : Check pipes and inside of mixer for blockages

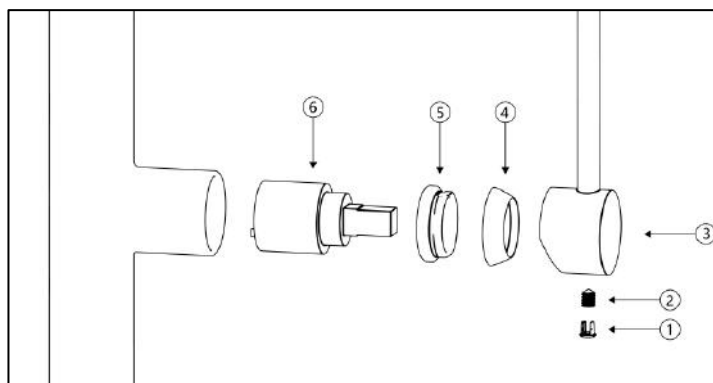
Slow Flow from the spout: The water filter must be changed every 6 months

Water not mixing: Pressures should be balanced or the higher pressure will restrict the lower

Cartridge become stiff : remove cartridge and clean out debris

Maintenance

Turn off water supply before removing the cartridge.



1. Take out the handle cap (1) and use the allen key to screw out the grub screw (2) .
2. Remove the handle (3) and screw out the dome (4).
3. Loosen the locking nut (5) by the wrench and take out the cartridge (6) .
4. Clean the cartridge and reinstall the cartridge in reverse steps (6) .

Cleaning

Clean the product surface with a soft cloth and a mild detergent or citric acid solution. The use of any rough materials, as well as corrosive or abrasive cleaning agents, is not recommended as they may cause damage to the coating.

For more information

- visit betterbathrooms.com
- email customerservices@buyitdirect.co.uk
- call 0330 390 3062
- write to Trident Business Park, Neptune Way, Huddersfield, HD2 1UA

**better
bathrooms**

Part of the BuyItDirect Group